

EGSM900 20W Tower Mounted Booster (TMB FSA)



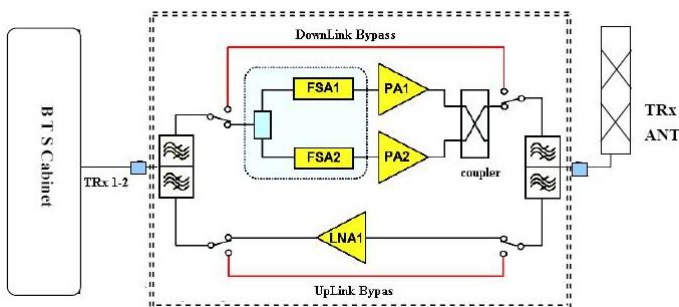
The TMB offers a cost-effective solution for extending coverage and improve the Tx and Rx quality of service from either new or existing BTS sites. Used with a micro BTS, the TMB can provide Macro coverage, achieving a low cost and compact solution, particularly suitable for rural applications.

Features

- High output power and excellent stability.
- Adopt advanced filtering technology and miniaturization design.
- High dynamic range.
- Provide indication of power supply, output power of downlink and uplink.
- Frequency Selecting and Amplifying (FSA) module
- Output power is 20W.
- Flexible 1/2 carrier configuration to easily work.
- Multiple Power Supply 220VAC, -48VDC.

Specification

ITEM	SPECS. REQUIREMENT	
	Forward(Downlink)	Reverse(Uplink)
Frequency range	925~960MHz	880~915MHz
Max. output power (combined 2 carriers)	43dBm (0dB/-2dB)/ for 2carriers	/
Loss in bypass mode	≤3.5dB	≤3.5dB
Gain	20dB ±2dB	12dB ±1dB
Gain adjustment step length	1dB	/
Automatic level control	yes	
RF Port	50 Ω N female (one input port; one output port)	
Inband flatness	≤1.5dB (peak)	
Noise figure	/	≤3dB
VSWR	≤1.5	
Time delay	≤5.0μs	
Max input power	< 40 dBm	< 10 dBm
MTBF	> 50000 hours	
Cooling	fans	
Installation	On the tower or base the BTS according to the detailed original input ANT power on the tower.	
Spurious emission	9kHz-1GHz:-36dBm/100kHz	
	1GHz-12.75GHz:-30dBm/1MHz	
Power Supply Options	220 VAC or -48 VDC Amphenol C16 Connector	
Operating Temperature	-40 to +55 deg C	
Operating	≤95%	
OMC mode	Local or remote through wireless modem	
Monitored Parameters	LNA, PA, PLL, Power Down, Power Fault, Temperature, Door Enable Alarm, VSWR, DL Power	
Controlled Parameters	Soft ON/OFF status, Frequency, Gain, Alarm Temp Threshold, In/Out Power Alarm Threshold	



FSA: Frequency Selecting and Amplifying Module