

CCI UMTS Cositing Series

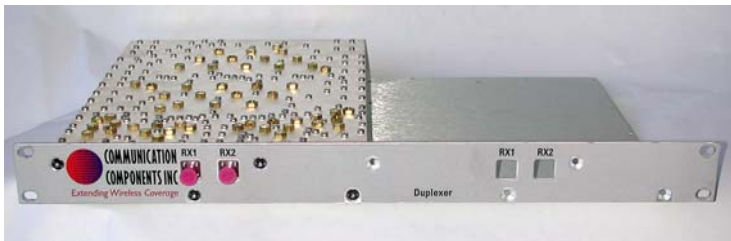
Tel: 201-342-3338
Fax: 201-342-3339
Email: sales@cciproducs.com

▶ Model DUP-850-2
▶ CEQ 27224

Duplexer for UMTS Cositing

Two Duplexers in a Single 1U Tray

Overview



CCI's 850 band Dual Duplexer combines Tx and Rx paths onto a common, single feeder. It provides

all required Tx and Rx filtration for UMTS and GSM signals.

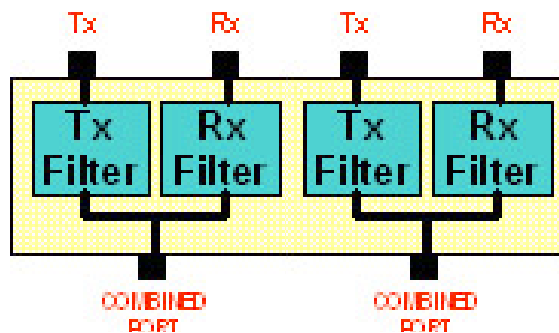
The Tx filter is a high Q design optimized for low insertion loss with high power handling. The Rx filter provides significant rejection in the Tx band, while maintaining low loss. Exceptional IMD performance and flatness prevent distortion which leads to a reduction in data rates.

The unit is housed in a single 19" wide, 1U high tray, and contains two duplexers. Expandable to four (4) per 1U tray by ordering a second duplexer pair.

Features:

- Combines Tx and Rx BTS outputs onto a common feeder
- Two duplexers in one half tray housing
- Low loss high performance filters
- Integrated bandpass filter
- Small Size
- Expandable to 4 per tray

Block Diagram



Common Specifications	
Impedance	50 Ohms
DC Pass Current	3 Amps
Group Delay	100 nSec Max / 3.84 MHz Band
Amplitude Ripple	+/- 0.5 dB Max / 3.84 MHz Band
Phase Ripple	+/- 3 Deg Max / 3.84 MHz band
Temperature Range	0 to 55 deg C.
Size	1U tray x 19" width
Weight	12 Pounds Maximum
Environmental Protection	Indoor
MTBF	500,000 Hours
Tx Path	
Passband	869-894 MHz
Insertion Loss	0.4 Typical
Return Loss	20 dB Typical
Power Handling	800 W Average
Rx Band Rejection	60 dBc Minimum
IMD within Rx Band	-160 dBc min (2 x 20 Watt tones)
Rx Path	
Passband	824-849 MHz
Insertion Loss	0.5 dB Typical
Power Handling	1 Watt Maximum
Return Loss	20 dB min.
Tx Band Rejection	60 dB minimum
Group Delay Ripple	+/- 100 nSec

CCI Confidential

Communication Components, Inc.

Tel: 201-342-3338

Fax: 201-342-3339